



Category No. ZOT	<b>Tool Equipment</b>	Ref. No. T001/15	Page 1 of 3
Coverage <input type="checkbox"/> Distributor only <input checked="" type="checkbox"/> Please inform your dealers		Date issued May 8, 2015	
Please convey this information to your <input type="checkbox"/> Warranty Dept. <input checked="" type="checkbox"/> Parts Dept. <input type="checkbox"/> Training Dept. <input checked="" type="checkbox"/> Field Rep		Date Revised	
Applicable Model MX-5 (ND)		Applicable Country or Specification Worldwide	

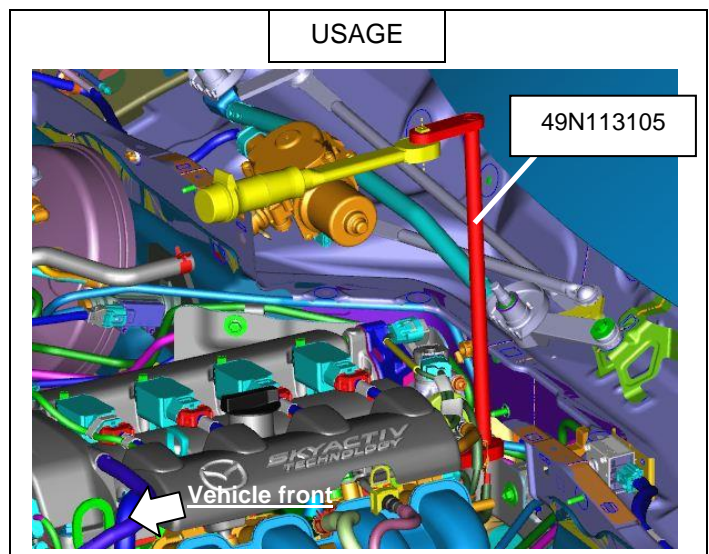
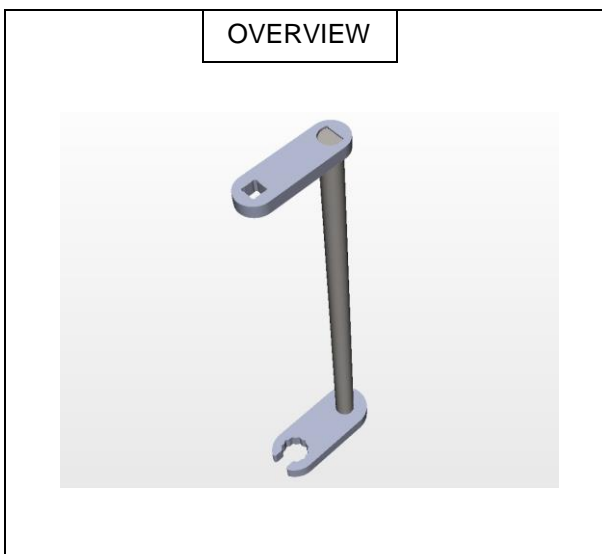
## Subject: New Special Service Tools for MX-5 (ND)

We have established two new SSTs for on-vehicle servicing of fuel pipe and overhaul servicing of new 6-speed manual transmission (M66M-D). These SSTs are absolutely necessary to perform secure service. We trust you will understand and use them to perform secure service.

### ENGINE

#### 1. FUEL PIPE WRENCH (49 N113 105)

**CATEGORY: A**



[APPLICABLE MODEL]                      MX-5 (ND)

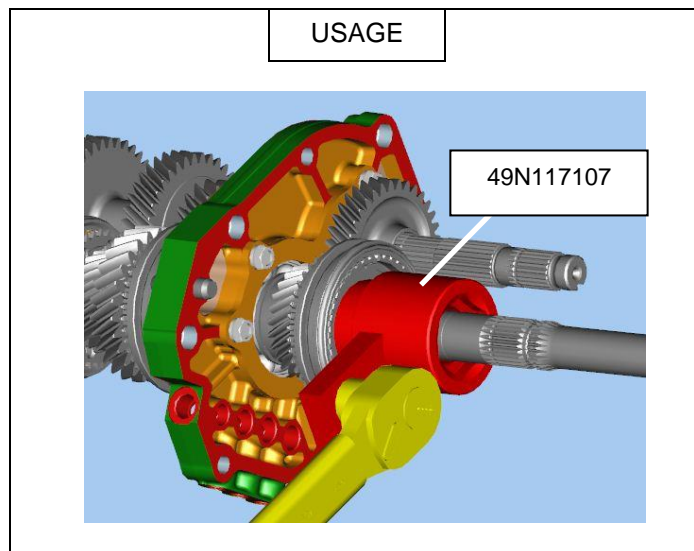
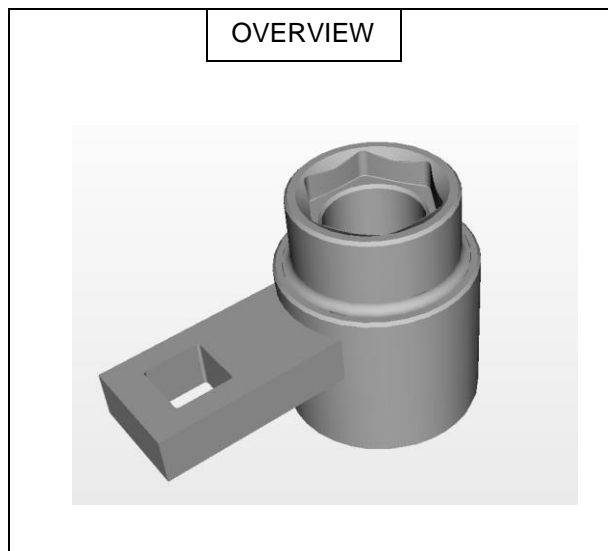
[APPLICATION]                              To remove/install a fuel pipe.

[REASON ESTABLISHED]                      Because of FR layout, the high pressure fuel pump is set under the cowl panel and there isn't enough working area to perform secure service by using general tools. Without this SST, tightening torque of the fuel pipe nuts cannot be checked and it would be caused of serious repair failure such as fuel leakage.

## MANUAL TRANSMISSION

### 2. HEX WRENCH (49 N117 107)

**CATEGORY: B**



[APPLICABLE MODEL]

MX-5 (ND)

[APPLICATION]

To remove/install a mainshaft locknut.

[REASON ESTABLISHED]

The mainshaft locknut of new 6-speed manual transmission (M66M-D) is smaller than current 5-speed manual transmission (M15M-D). Therefore, an existing SST cannot be fit to it. Improve an opportunity to establish a new SST, we designed the new SST can be fit to both manual transmissions M66M-D and M15M-D.

#### WEIGHT:

NO	TOOL NO.	DESCRIPTION	WEIGHT(KG)
1	49 N113 105	FUEL PIPE WRENCH	0.71
2	49 N117 107	HEX SOCKET	1.47

#### TO ORDER:

<North American market>

When order the tool, use online shop of MNAO site.

<European market>

Werner Weitner GmbH

Sollnau 14

85072 Eichstätt Germany

Attention: Mr. R Strasser

Telephone: (49) 8421-981-656

Fax: (49) 8421-981-698

E-mail: [info@werner-weitner.com](mailto:info@werner-weitner.com)

SST online shop: <http://www.werner-weitner.com/index.php/en/shop>

**<Other market>**

When order the tool, use the same route as the parts order.

**[About delivery timing]**

Please note that the SST is "Built-to-Order". The Production Lead Time will take 2 months. Therefore, the total delivery time would be 2 months + Ocean Lead Time.

If you have any questions about SST (e.g. function and component of SST, except price & delivery), please contact the following.

Telephone: (81) 82-252-5240  
E-mail: sst@mail.mazda.co.jp



---

Shinji Kanai  
Manager  
Upstream Service Program Group  
Vehicle Service & Program Dept.